

# RECYCLING

## HANGARUA

---

**MUST BE CLEAN**

NO LIQUIDS OR LIDS



**PLASTICS 1,2, 5**



**GLASS**



**CANS**



**SMALL CARDBOARD  
BOXES**

# RECYCLING

HANGARUA

---

**MUST BE CLEAN  
NO LIQUIDS OR LIDS**



**PLASTICS 1,2, 5**



**GLASS BOTTLES**



**CANS**



**SMALL  
CARDBOARD  
BOXES**

# RECYCLING

HANGARUA

---

**MUST BE CLEAN  
NO LIQUIDS OR LIDS**



**PLASTICS 1,2, 5**



**GLASS BOTTLES**



**CANS**



**SMALL  
CARDBOARD  
BOXES**

# **RECYCLING-HANGARUA**

**PLEASE NO LIQUIDS, LIDS OR FOOD**

# **RECYCLING-HANGARUA**

**PLEASE NO LIQUIDS, LIDS OR FOOD**

# COMPOST

## WAIRĀKAU

---

### FOOD AND COMPOSTABLE PACKAGING



**ALL FOOD  
SCAPS**



**PLAIN PAPER,  
PAPER TOWELS  
AND TISSUES**



**COMPOSTABLE  
PACKAGING**

# COMPOST

## WAIRĀKAU

---

### FOOD AND COMPOSTABLE PACKAGING



**ALL FOOD  
SCAPS**



**PLAIN PAPER,  
PAPER TOWELS  
AND TISSUES**



**COMPOSTABLE  
PACKAGING**

# COMPOST

## WAIRĀKAU

---

### FOOD AND COMPOSTABLE PACKAGING



**ALL FOOD  
SCAPS**



**PLAIN PAPER,  
PAPER TOWELS  
AND TISSUES**



**COMPOSTABLE  
PACKAGING**

# **COMPOST-WAIRĀKAU**

**PLEASE NO LIQUIDS, FOIL, PLASTIC**

# **COMPOST-WAIRĀKAU**

**PLEASE NO LIQUIDS, FOIL, PLASTIC**

# SOFT PLASTICS

KIRIHOU NGOHONGOHE

---

**CLEAN & DRY**



**BUBBLE WRAP**



**FOOD PACKETS  
& WRAPPERS**



**PALLET WRAP**

**DO THE SCRUNCH TEST**  
**IS IT PLASTIC THAT SCRUNCES EASILY?**

# SOFT PLASTICS

## KIRIHOU NGOHONGOHE

---



**DO THE SCRUNCH TEST**

**NO RIGID PLASTIC: IF IT  
SCRUNCHES IN YOUR HAND,  
CHUCK IT IN**

# SOFT PLASTICS

## KIRIHOU NGOHONGOHE

---



**DO THE SCRUNCH TEST**

**NO RIGID PLASTIC: IF IT  
SCRUNCHES IN YOUR HAND,  
CHUCK IT IN**

**SOFT PLASTICS**  
**KIRIHOU NGOHENGGOHE**  
**MUST BE CLEAN AND DRY**

**SOFT PLASTICS**  
**KIRIHOU NGOHENGGOHE**  
**MUST BE CLEAN AND DRY**

# LANDFILL

RUAPARA

---

PLEASE NO



**COMPOST**



**RECYCLING**



**SOFT  
PLASTIC**

# LANDFILL

RUAPARA

---

NO

- ✗ COMPOST
- ✗ RECYCLING
- ✗ SOFT PLASTIC

# LANDFILL

RUAPARA

---

NO

- ✗ COMPOST
- ✗ RECYCLING
- ✗ SOFT PLASTIC

**LANDFILL- RUAPARA**

**PLEASE NO COMPOST, RECYCLING OR SOFT PLASTIC**

**LANDFILL- RUAPARA**

**PLEASE NO COMPOST, RECYCLING OR SOFT PLASTIC**

# E-WASTE

---

## SMALL APPLIANCES & ELECTRONICS WASTE



EG POWER TOOLS, APPLIANCES, PHONES, COMPUTERS, PRINTERS

---

**KEEP ELECTRONICS OUT OF LANDFILL,  
& SAVE VALUABLE MATERIALS FOR REUSE**

# BATTERIES, BULBS & E-WASTE

---

## APPLIANCE & ELECTRONIC RECYCLING



**BULBS, POWER TOOLS, SMALL APPLIANCES AND DEVICES**

---

**KEEP ELECTRONICS OUT OF LANDFILL,  
& SAVE VALUABLE MATERIALS FOR REUSE!**

# USED BATTERIES

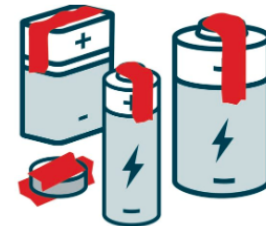
---

## FOR RECYCLING



---

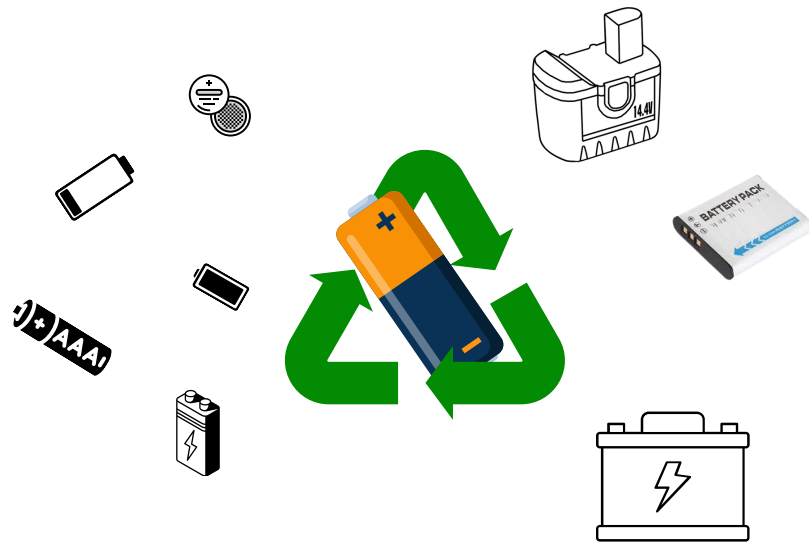
**PLEASE TAPE OVER EXPOSED  
TERMINALS  
TO PREVENT SPARKS**



# USED BATTERIES

---

FOR RECYCLING



---

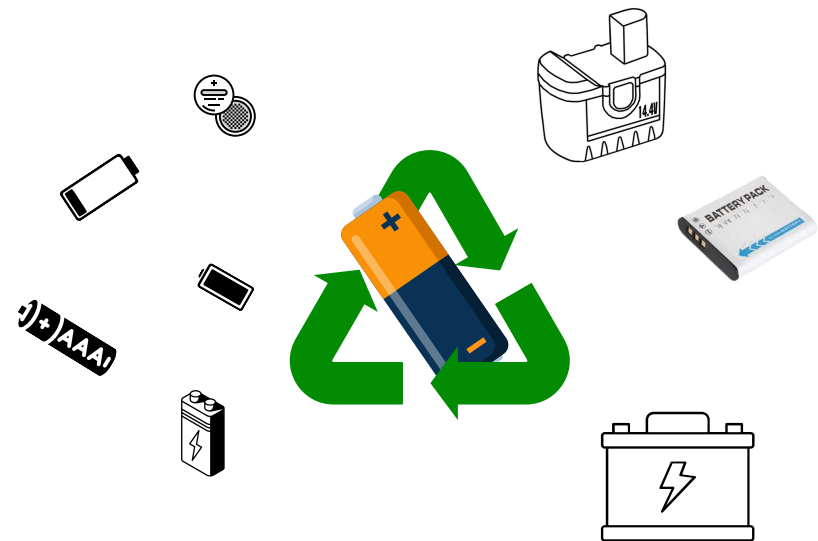
PLEASE TAPE OVER  
EXPOSED  
TERMINALS,  
TO PREVENT SPARKS



# USED BATTERIES

---

FOR RECYCLING



---

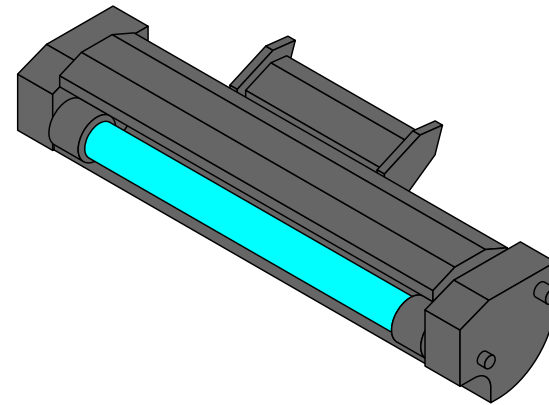
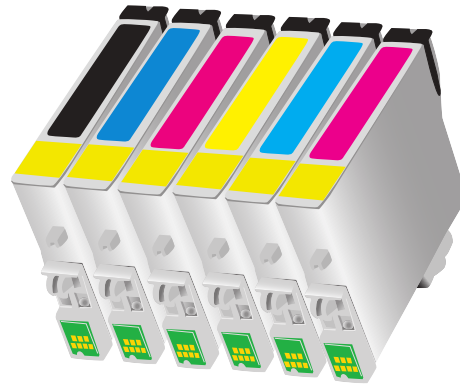
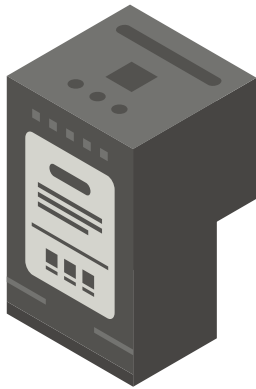
PLEASE TAPE OVER  
EXPOSED  
TERMINALS,  
TO PREVENT SPARKS



# USED CARTRIDGES

---

FOR RECYCLING



---

PRINTER INK & TONER CARTRIDGES